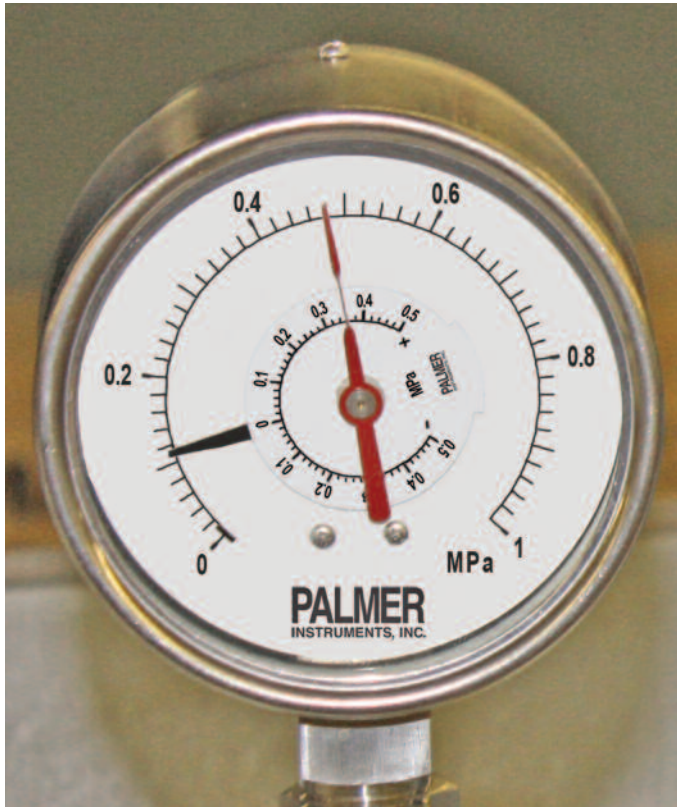


# NEW! Differential Pressure Gauge with Double Bourdon Tube • Models 40MB • 40MS



40MS Differential Gauge

**High, Low, and Differential Pressures  
Read all three at a glance!**

Palmer Instruments introduces two new **Industrial Strength Differential Pressure Gauges**. Featuring double bourdon tube construction, these versatile gauges allow you to see the high and low pressures, as well as the differential between the two – with just a quick glance. The black pointer indicates the low on the outer scale; the red, knife-edge pointer indicates the high on the outer scale, and allows for direct reading of the differential pressure on the inner scale.

- **40MS Stainless Steel Case Pressure & Differential Gauge with Stainless Steel Internals for Use in Corrosive Environments**
- **40MB Stainless Steel Case Pressure & Differential Gauge with Brass Internals for General Use**

## Specifications

**Case:** 4" (100mm) Stainless Steel.

**Dial:** Two white aluminum dials with black numerals and graduations.

**Window:** 3mm Glass.

**Pointer:** Red aluminum knife-edge pointer indicates both the primary or high pressure, and the differential. Black aluminum pointer indicates low pressure.

Difference is calculated by:

$$\Delta P = (P+)(\text{High}) - (P-)(\text{Low})$$

**O-Ring and Blow-out Vent:** Rubber

**Socket:** 40MS: 316 Stainless Steel  
40MB: Brass

**Welding:** 40MS: AISI 316 Stainless Steel, TIG Argonarc  
40MB: Tin Welding

**Connection:** 1/2" NPT, 1/4" NPT

**Double Bourdon Tubes:**

40MS: 316 Stainless Steel  
40MB: Brass

**Movement:** 40MS: 316 SS

40MB: Brass

**Accuracy:** ± 1.5% of Full Scale

**Range Availability:** 15 - 1500 PSI

**Operating Medium Temperature:**

40MS: 100°C.

40MB: < 80°C

**Ambient Temperature:**

-4° to 140°F (-20° to +60°C)

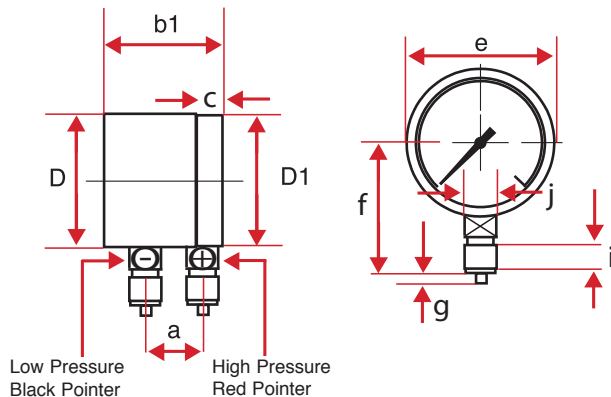
**Mounting:** Stem Mount, Lower Connected. Front or Back Flange optional.

**Protection:** IP45.

## Available Ranges

Code	PSI
15#	15 PSI
30#	30 PSI
60#	60 PSI
100#	100 PSI
160#	160 PSI
200#	200 PSI
300#	300 PSI
600#	600 PSI
1000#	1000 PSI
1500#	1500 PSI

## Dimensions



## Dimensions in inches (mm)

Case Size	a	b1	c	D	D1
4" (100 mm)	1.25" (32 mm)	3.14" (80 mm)	0.62" (16 mm)	3.975" (100 mm)	3.872" (98 mm)
Weight	e	f	g	i	j
2.4 lbs (1.08kg)	4" (102 mm)	3.74" (95 mm)	0.11" (3 mm)	0.78" (20 mm)	0.86" x 0.86" (22 x 22 mm)

Specifications subject to change without notice.

Complete Calibration Services Available

(800) 421-2853 • FAX (828) 658-0728 • www.palmerwahl.com

**PALMER Wahl**  
INSTRUMENTATION GROUP  
Continued Innovation Since 1836  
ISO9001:2008 CERTIFIED