

## Model PST500 • PST550

### Solar Digital Industrial Thermometers



Model PST500

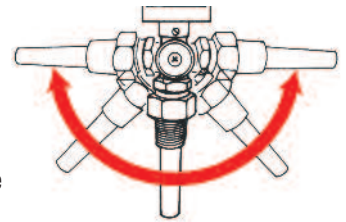
**PST500** Solar Digital Thermometer

**PST550** Solar Digital Thermometer with Transmitter

**NEW!** Palmer PST Solar Digital Industrial Thermometers are environmentally friendly mercury-free thermometers. Palmer Thermometers set industry standards for accuracy, quality, and rugged operation. These new thermometers offer 1% accuracy and are designed and constructed for long-term service.

**Transmitter:** Single unit allows for local reading and remote transmitting. Dual sensors offer convenient and reliable independent operation for a variety of applications.

**Flex Angle Adjustment:** Just one screw permits cases to be rotated 180° and stem to be positioned in 10° increments. Users can “infinitely” adjust thermometers to virtually any viewing angle required.



**Easy Readability:** Large digital display can be seen from a distance.

**Self Powered:** No need for batteries.

	PST500	PST550
<b>Solar Powered Digital Thermometer</b>		
<b>Output</b>	NA	4-20mA Transmitter
<b>Case</b>	Hi-Impact ABS Case, All Angle Adjustable	
<b>Range</b>	-50° to 300°F (-45° to 150°C) F & C Switchable	
<b>Display</b>	1/2" LCD digits, wide ambient formula	
<b>Accuracy</b>	1% of reading or 1°, whichever is greater	
<b>Resolution</b>	1/10° between -19.9° to 199.9°F (-28° to 93°C)	
<b>Recalibration</b>	Through case potentiometer adjustment	
<b>Lux Rating</b>	10 Lux (one foot candle)	
<b>Update</b>	10 seconds	
<b>Ambient Temperature</b>	-30° to 140°F (-35° to 60°C)	
<b>Ambient Temp Error</b>	Zero	
<b>Humidity</b>	100%	
<b>Sensor</b>	Glass passivated Thermistor - NTC	Thermistor based - NTC
<b>Stem Material</b>	Standard Cast Aluminum Stem and Seat	
<b>Fitting</b>	1-1/4" - 18 UNEF machined Brass Swivel Nut	
<b>Stem Assemblies</b>	Industrial, Bimetalic, Air Duct	
<b>Transmitter</b>		
<b>Range</b>	NA	-58° to 302°F (-50° to 150°C)
<b>Output</b>	NA	4-20 mA
<b>Ambient Operating Temp</b>	NA	-15° to 185°F (-25° to 85°C)
<b>Ambient Error</b>	NA	0.01% Span (°C)
<b>Supply</b>	NA	8 to 35 VDC
<b>Max Load Resistance</b>	NA	775W with 24VDC Supply
<b>Accuracy</b>	NA	0.1% of Span
<b>Sensor</b>	NA	Platinum 100WRTD

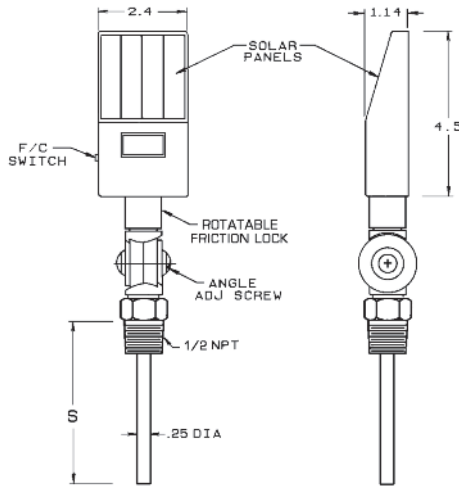


**Direct Replacement**  
for Industrial Glass and  
Bimetal Thermometers.

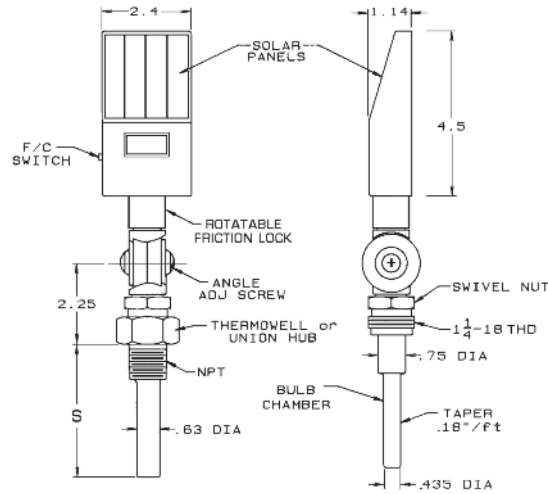
Calibration Services Available

# Solar Digital Thermometers

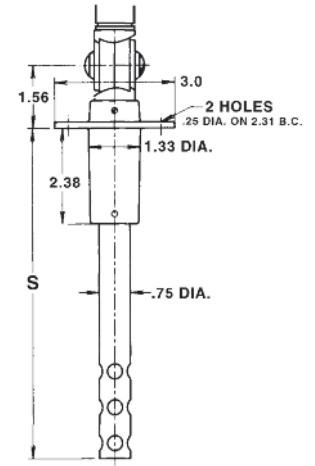
## Model PST500 • PST550 Solar Industrial Digital Thermometers



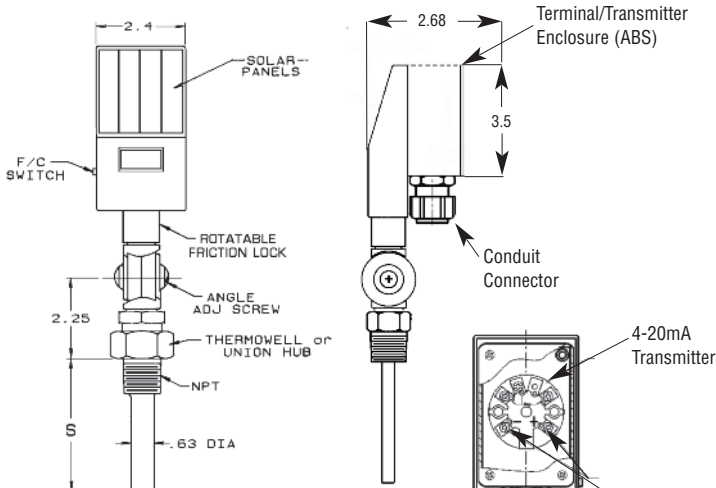
**Bimetal Stem Assembly  
PST500BM**



**Industrial Stem Assembly  
PST500IG**

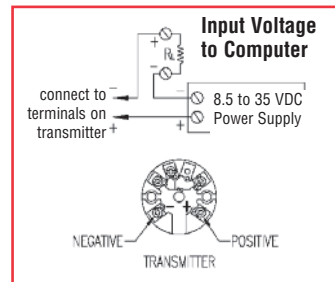


**Air Duct Stem Assembly  
PST500AD and PST550AD**



**Transmitter  
Industrial Stem  
PST550IG**

**Transmitter  
Bimetal Stem  
PST550BM**



**For RL = 250Ω**

V VOLT	I mA	°F	°C
1	4	-58	-50
5	20	+302	+150

Compatible with most building automation systems with 4-20mA input



*Model PST550*

Model Number Selection						
Stem Length	Solar Thermometer			Solar Thermometer with Transmitter		
	Bimetal	Industrial	Air Duct	Bimetal	Industrial	Air Duct
2.5"	PST500BM025 <sup>1</sup>	NA	NA	PST550BM025	NA	NA
3.5"	NA	PST500IG035 <sup>2</sup>	NA	NA	PST550IG035	NA
4"	PST500BM040 <sup>1</sup>	NA	NA	PST550BM040	NA	NA
6"	PST500BM060 <sup>1</sup>	PST500IG060 <sup>2</sup>	PST500AD060	PST550BM060	PST550IG060	PST550AD060
9"	NA	NA	PST500AD090	NA	NA	PST550AD090
12"	NA	NA	PST500AD120	NA	NA	PST550AD120

Bimetallic: Full conformance with ASME B40.3 - 1990. Fully interchangeable with Bimetallic Dial Thermometers

Industrial Glass: Full conformance with Fed Spec GG-T-321D. Fully interchangeable with Industrial Glass Thermometers

<sup>1</sup> Sockets available. <sup>2</sup> without Socket

